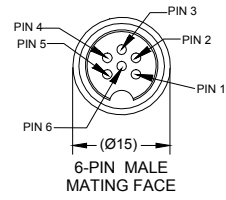
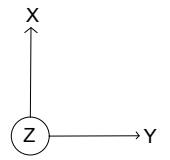
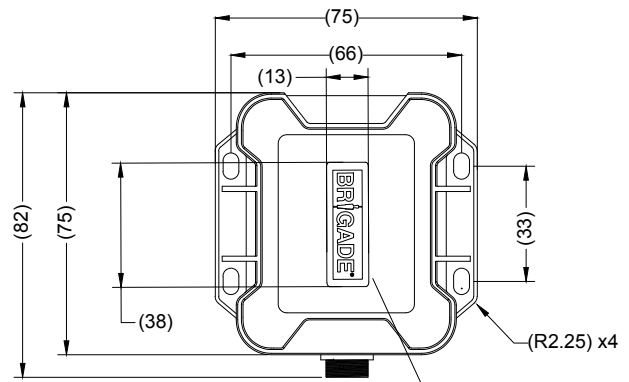
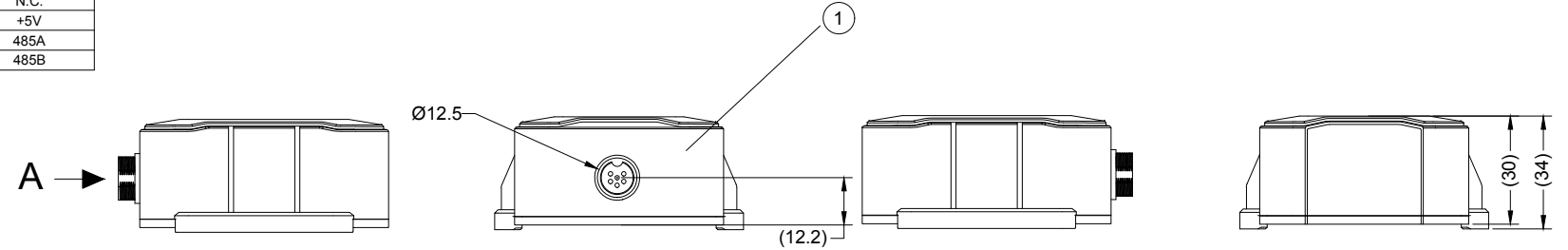
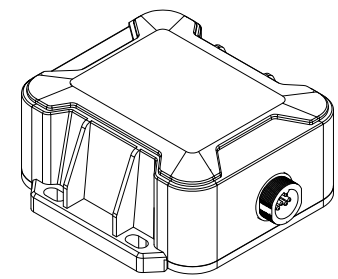
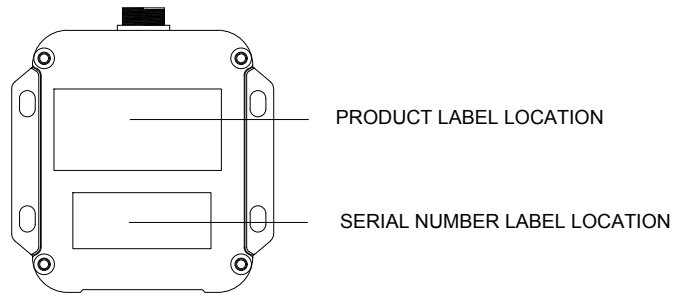


Revision Notes.				
R1 - UPDATE MODEL NUMBER AS PER ECR-CR-A420.				
APA:	Drawn:L.PILLAY	Checked:S.LAVER	Approved:D. WALLIN	Date: 01/11/2016

### VIEW A



PIN #	WIRE COLOUR	DESCRIPTION
1	N.C.	N.C.
2	BLACK	GND
3	N.C.	N.C.
4	RED	+5V
5	BLUE	485A
6	WHITE	485B



ORIENTATION BASED ON TOP VIEW

LOGO SEE NOTE 8.

ITEM	PART NUMBER	DESCRIPTION
①	5076	SECOND GENERATION EXTERNAL G-SENSOR (BODY ONLY)
②	5013	SECOND GENERATION 2M CABLE FOR EXTERNAL G-SENSOR (NOT SHOWN)

- NOTES:
- REFERENCE INSTRUCTION GUIDE FOR FUNCTIONALITY.
  - TO BE SUPPLIED IN BROWN GIFTBOX.
  - MATERIAL: ALUMINIUM.
  - FINISH: SILVER PAINT.
  - FOR PRODUCT/SERIALNUMBER LABEL REFER TO LATEST REVISION OF DRAWING BE-003112-XX-15.
  - FOR GIFT BOX LABEL REFER TO THE LATEST REVISION OF DRAWING BE-003111-XX-15
  - ANY CUSTOMER MODIFICATION OF THIS PRODUCT CAUSING SUBSEQUENT FAILURE IS NOT A LIABILITY OF BRIGADE ELECTRONICS GROUP PLC.
  - FOR BRIGADE LOGO SEE BRIGADE-SMALL-LOGO STICKER 3813-4526(01.10.05.219)-V1.0.
  - MEASURE RANGE: -16G TO 16G.

**PROPRIETARY NOTICE**  
 THIS DESIGN AND TECHNICAL INFORMATION APPEARING ON THIS DRAWING IS THE PROPERTY OF BRIGADE ELECTRONICS, AND IS DISCLOSED IN CONFIDENCE. IT IS NOT TO BE COPIED, REPRODUCED, REVEALED TO OR EXPROPRIATED BY OTHERS, EITHER IN WHOLE OR IN PART WITHOUT THE EXPRESS WRITTEN CONSENT OF BRIGADE ELECTRONICS.



Assembly Pl Approval E.PANG	Approved by B. JOHN	Checked by R. BATES	Drawn by L.PILLAY
Angle of Projection 	Units mm	Scale N/A	Released 30/11/15
Status S. ZHANG	MDR-GS-02		
Part No 4988	BE-003233-01-15		